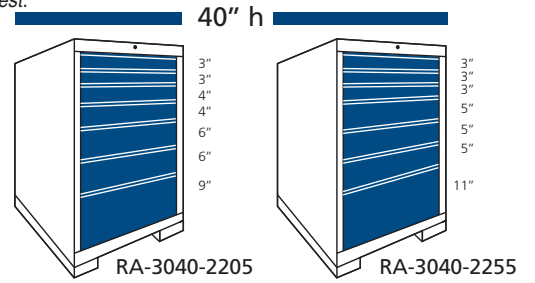
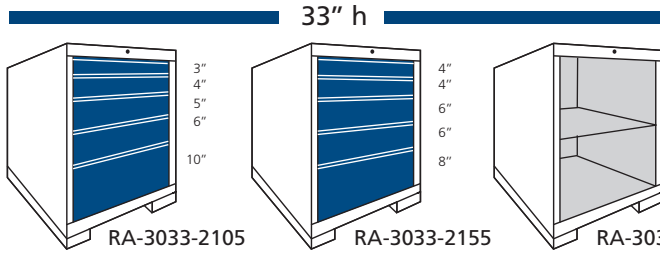
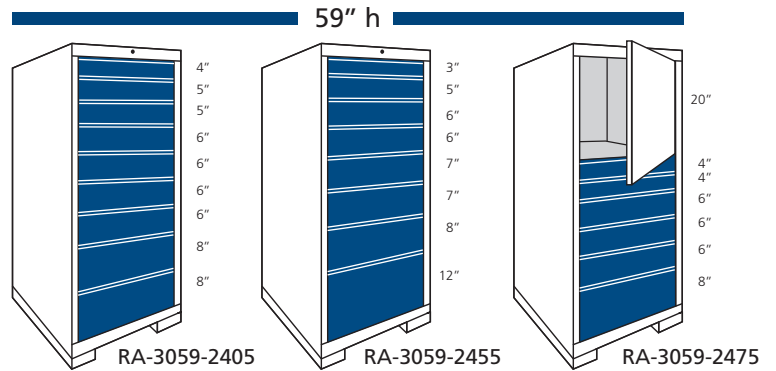
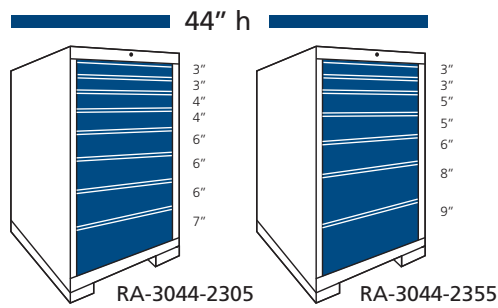


## America

- Dimensions : 283/8" x 293/8" (hauteur/height: 331/4", 401/4", 441/4" ou/ou 591/4")
- Chaque tiroir de 3" à 8" comprend 16 compartiments ajustables. *Each 3" to 8" drawer will have 16 adjustable compartments.*
- Chaque tiroir de 9" et plus comprend 8 compartiments ajustables. *Each drawer 9" and over will have 8 adjustable compartments.*
- Serrure disponible en option. *Locking mechanism available upon request.*



1 tablette ajustable, portes disponibles sur demande.  
1 Adjustable shelf doors available as an option



## Wide

- Dimensions : 241/2" x 463/4" (hauteur/height: 321/4", 401/4", 461/4" ou/ou 601/4")
- Chaque tiroir de 3" à 7" comprend 24 compartiments ajustables. *Each 3" to 7" drawer will have 24 adjustable compartments.*
- Chaque tiroir de 8" et plus comprend 8 compartiments ajustables. *Each drawer 8" and over will have 8 adjustable compartments.*
- Serrure disponible en option. *Locking mechanism available upon request.*

